

## 用户手册 KLEPCYS VERTICAL TOURBILLON

恭喜您成为 CYRUS 手表的主人，并也感谢您对我们产品的信任。

我们非常荣幸地欢迎您成为尊贵用户的一员。

KLEPCYS VERTICAL TOURBILLON腕表有共有三个版本，分别是黑色钛金属款、4N18K玫瑰金款及双色款(即4N18K玫瑰金表壳配黑色钛金属表圈)，每款限量生产38件。这款時計揭示了陀飞轮的迷人复杂性，该陀飞轮设置在表盘中央的垂直轴上。我们的技术团队对手表的位置进行了艰苦的研究，陀飞轮框架90°角在大多数情况下都可以保持垂直。当设置为该角度时，框架会自行旋转，以更有效地抵消重力对摆轮的负面影响，从而提供更准确的时间。KLEPCYS VERTICAL TOURBILLON在我们位于瑞士Le Locle的Manufacture Chronode研发生产，并配备有手动上发条机芯，可确保100小时的动力储存。

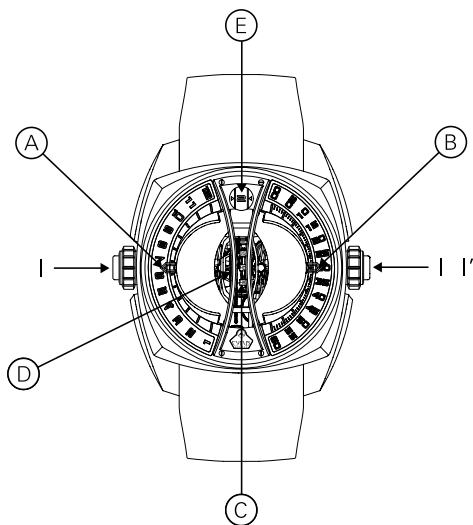
通过选择 CYRUS KLEPCYS VERTICAL TOURBILLON腕表，您已经认同了我们强烈的原创风格，别树一帜和破格而具实力的形象。

请您在使用腕表前先参考本用户手册，希望 CYRUS 的時計能为您带来愉悦的体验。

CYRUS 破格時計，绽放异彩!

## 操控指示

- A. 跳逆时针
- B. 扫逆时针
- C. 陀飞轮框架上设有秒数小方块，其以5秒为单位排布
- D. 纵轴上的中央陀飞轮呈90° 放置，旋转一周需1分钟
- E. 12时位以5mm球体装置显示动力储存



## 使用方法

### 三时位表冠

#### 进行上弦

位置 I

只需手动将位置 I 表冠顺时针旋转几圈便能令腕表开始运作。机芯完全上弦后时 (表冠旋转约 40 圈)，可保留100 小时的动力储备。

#### 設定時間

位置 I'

将表冠拉出至I' 设定时间并顺时针转动 (A =时針/ B =分針)。秒无需调整 (C)，陀飞轮框架上设有秒数小方块，其以5秒为单位排布；60 秒以红色显示。

#### 逆时针时间调整：

在逆时针时间设置中，如果分钟小于55分钟，则可以降到0；如果介于55到60之间，则不允许回到55分钟以下。安全性：第55分钟的时间设定锁定系统。

### 九时位表冠

按下表冠上的按钮，进行小时快速校正。

### 动力储备

表盘12时位，陀飞轮夹板的两个拱形结构之间，还有一个引人注目的5mm直径球体，负责显示100天动力储存状态 (1-4日)。

最后，我们建议您每3年检查一次手表并通过 CYRUS 品牌的经销商或授权服务中心进行检修，您将终身享受時計能为您带来愉悦的体验。

#### 规格：

机芯：自家制手动上弦机芯CYR625

振动频率：3Hz (21.600 v / h)

珠宝：53

动力储备：100小时

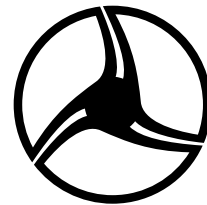
直径：44毫米 (不计表冠)

前玻璃和后玻璃：防反射蓝宝石水晶

防水深度：3 ATM (30米— 100英尺)

KLEPCYS  
VERTICAL TOURBILLON

EN - CN



CYRUS  
GENÈVE

THE CONQUEST OF INNOVATION

## OWNER'S MANUAL KLEPCYS VERTICAL TOURBILLON

Congratulations on the purchase of your CYRUS timepiece and thank you for your trust!

We are very proud to welcome you to the selected group of happy owners of this exceptional watch.

The Klepcys Vertical Tourbillon is produced in three executions, with 38 pieces issued for each: titanium with black DLC finish – 4N 18K rose gold and 4N 18K rose gold with black DLC titanium.

This timepiece unveils the fascinating complication of the Tourbillon which is set in the middle of the dial on a vertical axis. Painstaking studies by our technical team on the positions of the watch over the course of 24 hours revealed that the 90° angle of the tourbillon cage allows it to remain vertical in most cases. When set at this angle, the cage rotates on itself to offset the negative effects gravity has on the balance wheel more effectively, providing better timekeeping.

The timepiece is entirely produced in our Manufacture Chronode, in Le Locle, Switzerland, and is equipped with the in-house hand-winding with a power reserve of more than 100 hours.

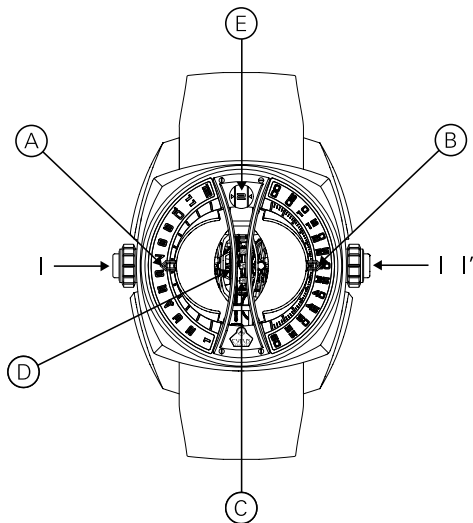
By choosing CYRUS Klepcys Vertical Tourbillon, you have chosen innovation, exclusivity and a strong identity.

We invite you to consult the instructions for use and wish you an excellent journey in the universe of CYRUS timepieces.

CYRUS, "The Conquest of Innovation"!

## CONTROLS AND INDICATIONS

- A. Jumping retrograde hours hand
- B. Sweeping retrograde minutes hand
- C. Seconds on the tourbillion cage by means of blocks graduated at 5-second intervals
- D. Central tourbillon cage on a vertical axis at a 90° angle. Complete rotation in 1 minute
- E. Power reserve indicator by means of a 5 mm sphere at 12 o'clock



## OPERATING INSTRUCTIONS

### Crown at 3 o'clock

#### WINDING THE WATCH

Position I

Manual winding. In position I turn the crown clockwise to wind the watch. When the movement is fully wound (about 40 turns of the crown), a power reserve of more than 100 hours is granted.

#### SETTING THE TIME

Position I'

Pull out the crown in position I' to set the time and turn the hands clockwise (A = hours hand/B = minutes hand). Seconds require no adjustment (C) and they are visible on the tourbillon cage on blocks graduated at 5-second intervals; 60 seconds are highlighted in red.

Counter-clockwise time adjustment:

In counterclockwise time setting, if the minute is lower than 55 minutes, you can go down to 0; if it is between 55 and 60, it's not allowed to go back below 55 minutes. Security: locking system of time setting at the 55<sup>th</sup> minute.

### Crown at 9 o'clock

Pressing the pusher on the crown, hour increment is allowed for fast hour correction.

#### POWER RESERVE

At 12 o'clock, between the two arches of the tourbillon bridge, a sphere with a 5mm diameter reveals the power reserve in numerals 1-4 days, totalling over 100 hours.

Finally, we recommend you have your watch controlled and serviced through an official representative of the CYRUS brand every 3 years and you will enjoy your watch for lifetime.

## SPECIFICATIONS

MOVEMENT: In-house manufactured hand-winding calibre CYR625  
BALANCE FREQUENCY: 3Hz (21.600 v/h)  
JEWELS: 53  
POWER RESERVE: more than 100 hours  
CASE DIAMETER: 44 mm excluding crowns  
FRONT AND BACK GLASSES: Antireflective sapphire crystal  
WATER RESISTANCE: 3 ATM (30 m. – 100 ft.)

## CYRUS WATCHES

Chemin des Aulx 18  
1228 Plan-les-Ouates  
Switzerland

t +41 32 384 25 20  
e info@cyrus-watches.ch  
w www.cyrus-watches.ch

© cyruswatches  
f cyrus.watches